


Referans Nr.	D2 (f7)	D1 (f7)	L (By 0.1mm)	D	L2	L1	L3	D3	M	M1	
1475-00012	12	12	0<L<100	18	23	38	21.5	6.5	M8	M8	70 ~ 160
1475-00016	16	16	0<L<100	24	23	38	21.5	6.5	M8	M8	175 ~ 265

Product Nr. 1475 Clamping Pins

Shank

- Hardness: Induction
- Precision ground

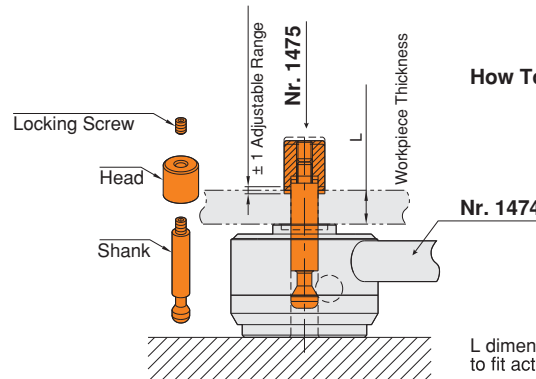
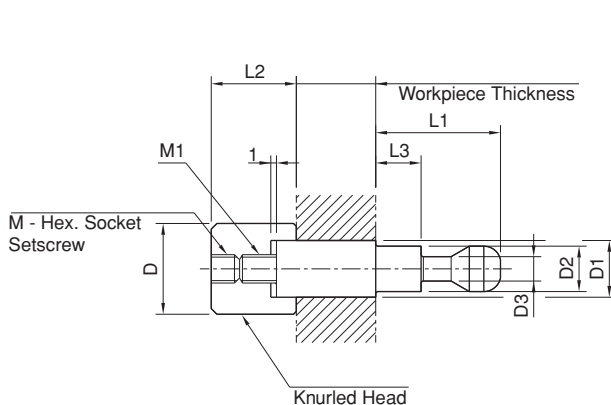
Shank

- Black coated



Note 

- Custom Clamping Pins are available on request.



How To Use

L dimension is adjustable by ± 1 mm to fit actual workpiece thickness.